



KTEB-240-1-TP-PIC	
Ballast Type	Electronic
Starting Method	Rapid Start
Lamp Connection	Parallel
Input Voltage	120Vac ± 10%
Input Frequency	50 / 60Hz

ELECTRICAL SPECIFICATIONS:

Lamp Type	No. of Lamp	Input Watts	Input Current (Amps)	Power Factor	Crest Factor	Ballast Factor	Ballast Efficacy Factor	Max. THD %
F40T12 or F40T12/U	2	74	0.62	0.99	1.66	0.88	1.19	10
	1	47	0.40	0.99	1.57	1.10	2.34	10
F34T12 or F34T12/U	2	63	0.53	0.98	1.63	0.85	1.35	10
	1	40	0.34	0.98	1.59	1.10	2.75	10
F40T12 (25W Shoplight)	2	78	0.66	0.99	1.64	1.40	1.79	10
	1	51	0.43	0.99	1.58	1.70	3.33	10
F30T12	2	58	0.49	0.99	1.65	0.88	1.52	10
	1	38	0.32	0.98	1.59	1.00	2.63	10

PERFORMANCE:

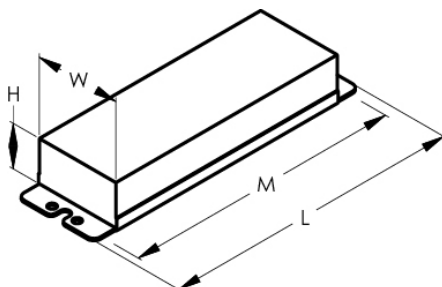
- Sound Rated: A
- Minimum Starting Temperature: 0°F, -18°C
- Maximum Case Temperature: 167°F, 75°C
- Meets FCC Part 18 (Class B) Consumer Limits
- Transient Protection meets ANSI/IEEE C62.41 Cat. A
- 5-Years Warranty
- OCV : 600V

APPROVALS:

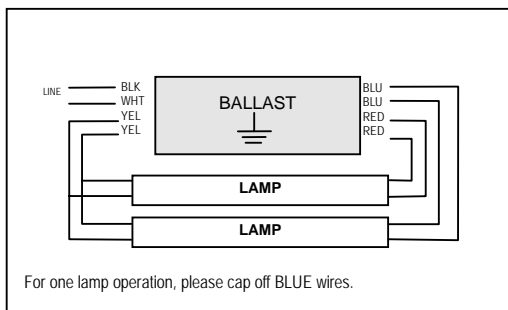
- UL, cUL 935 Listed

PHYSICAL DIMENSIONS:

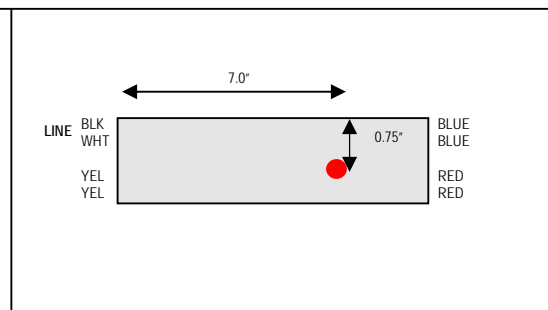
Length (L):	9.50"
Width (W):	1.38"
Height (H):	1.18"
Mounting (M):	8.90"
Lead Length:	
White, Black	22"
Blue, Red	26"
Yellow	36"



WIRING DIAGRAM:



HOT SPOT LOCATION:



KEYSTONE TECHNOLOGIES LLC.
P.O. Box 246, AMBLER, PENNSYLVANIA 19002
PHONE: 215-283-2600
FAX: 215-628-4412
INFO@KEYSTONEBALLAST.COM
WWW.KEYSTONEBALLAST.COM