

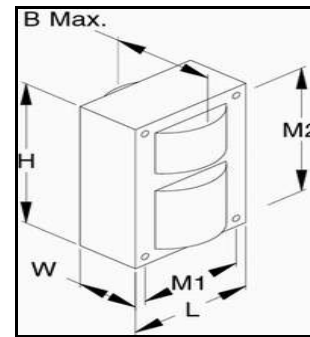
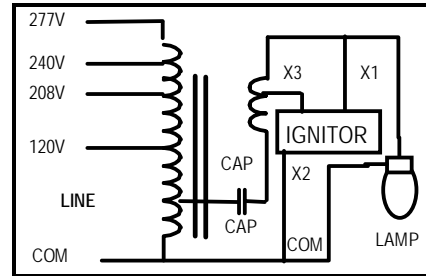


Catalog #	<b>MH-320A-Q-HP</b>
Type:	320W Metal Halide Pulse Start
Voltage:	Quad (120/208/240/277)

### General Information

Lamp Type	320W MH Pulse Start
ANSI Designation	M132
Line Voltage (V)	120/208/240/277
Regulation	10%
Frequency (Hz)	60
Recommended Fuse (A)	8/5/5/3
Circuit Type	CWA
Insulation Class	180°C
Capacitor Value	21 MF
Capacitor Voltage Rating	345 V
Cap. Temp. Rating	90°C
Winding Materials (Pri/Sec)	Cu/Cu
Lamp Starter	XG-04
Agency Certification	RU, cRU
Maximum Distance to Lamp	N/A

### Diagrams



### Electrical Characteristics

Line Volt (V)	Power Factor	Line Current (A)			Input Power (W)	Open Circuit Voltage (V)	Min Start Temp.	UL Temp. Code
		Operating	Open	Short Circuit				
120	High	3.20	2.53	0.90	370	270	-30°C	D
208	High	1.83	1.41	0.48	370	270	-30°C	D
240	High	1.61	1.30	0.43	370	270	-30°C	D
277	High	1.39	1.12	0.38	370	270	-30°C	D

### Physical Characteristics

Overall Dimensions (Inches)				Mounting Holes (Inches)			Bracket Dimension (Inches)		Ballast Net Weight (KG)	Lead Length (Inches)
Length	Width	Height	B max.	Diameter	M1	M2	Length	Width		
4.30	1.75	4.80	3.60	0.25	3.87	4.38	7.25	1.11	5.0	12-14

**KEYSTONE TECHNOLOGIES LLC.**  
 P.O. Box 246, AMBLER, PENNSYLVANIA 19002  
 PHONE: 215-283-2600  
 FAX: 215-628-4412  
 INFO@KEYSTONEBALLAST.COM  
 WWW.KEYSTONEBALLAST.COM